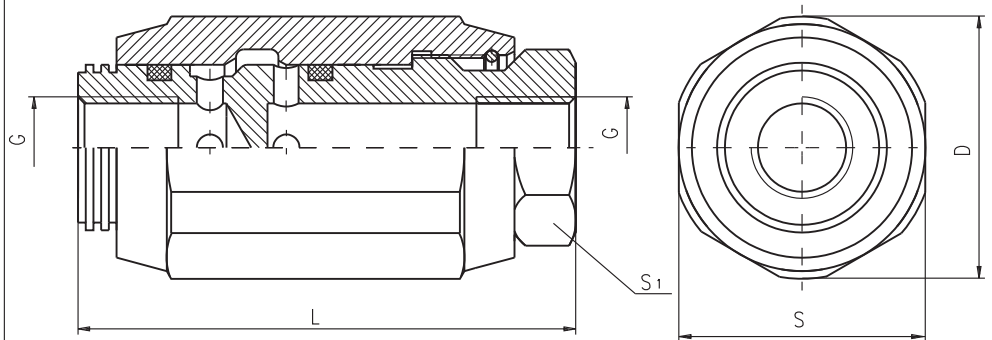


**DESCRIPTION**

- ✓ Adjustable throttle for pipe mounting-DR-...
- ✓ The valve throttles , or completely stops the flow in any direction , so creating resistance to flow regulation and support in the hydraulic system.

**DIMENSIONS**


TYPE	L	S	S1	D	G
	mm.				
DR-1/4"	65	32	22	34	1/4"
DR-3/8"	65	36	24	38	3/8"
DR-1/2"	82	42	29	44	1/2"
DR-3/4"	100	55	36	59	3/4"
DR-1"	126	65	45	70	1"

**SYMBOL**

**ORDERING CODE**

DR	-	***
----	---	-----

Adjustable throttle

Mounting thread:

G1/4 -1/4
G3/8 -3/8
G1/2 -1/2
G3/4 -3/4
G1 -1

**TECHNICAL DATA**

Max. Pressure		320 bar
Rated flow ( $\Delta p=2,5$ bar.)	-1/4	12 l/min
	-3/8	20 l/min
	-1/2	45 l/min
	-3/4	80 l/min
	-1	160 l/min
Working liquid-hydraulic oils with characteristics:		
-viscosity		10...400 cSt
-degree of filtration		0,025 mm
-temperature		-20...+80°C